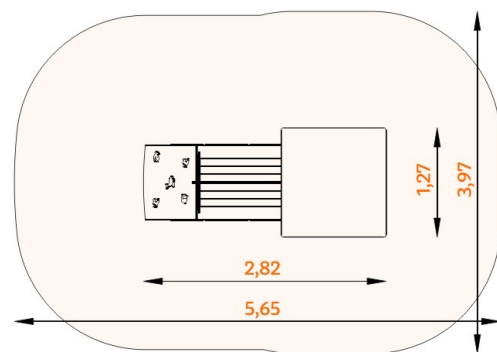


TECHNICAL DATA

Width:	1,27 m
Length:	2,82 m
Height:	~2,73 m
Impact area F:	20,15 m ²
HIC:	1,00 m
Dimensions of impact area length:	5,65 m
Dimensions of impact area width:	3,97 m
Depth of foundations:	-0,60 m

Top view with impact area



SATERNUS DISTRIBUTION Sp. z o. o. sp. k.
ul. Nowa 32
41-500 Chorzów
Polska

Certificate holder

Producer
Distributor

GRUPA SATERNUS Sp. z o.o. S. K. A. reserves all rights to copyright protection under the Act of 04.02.1994 on copyright and related rights (Journal of Laws No. 28, item. 83) and especially art. 78 and 79 of that Act.

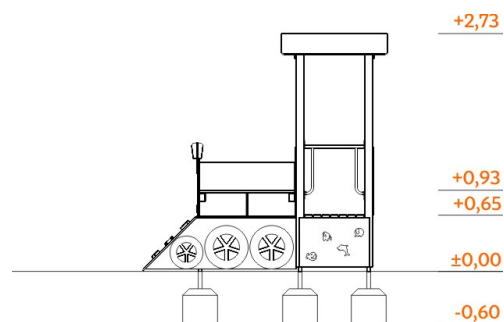
GRUPA SATERNUS Sp. z o.o. S. K. A. (legal successor Place Zabaw Saternus Sp. z o.o.)

Saternus Production Sp. z o.o. sp. k.
Saternus Distribution Sp. z o.o. sp. k.

General view of device

The device according to EN 1176-1:2009 standards playground equipment. General safety requirements and examination methods.

Safety surface: sand, gravel, bark, rubber (minimal thickness for all loose surfaces 300 mm)



SATERNUS DISTRIBUTION Sp. z o. o. sp. k.
ul. Nowa 32
41-500 Chorzów
Polska

Certificate holder

Producer
Distributor

GRUPA SATERNUS Sp. z o.o. S. K. A. reserves all rights to copyright protection under the Act of 04.02.1994 on copyright and related rights (Journal of Laws No. 28, item. 83) and especially art. 78 and 79 of that Act.

GRUPA SATERNUS Sp. z o.o. S. K. A. (legal successor Place Zabaw Saternus Sp. z o.o.)

Saternus Production Sp. z o.o. sp. k.
Saternus Distribution Sp. z o.o. sp. k.

MATERIALS

Anchors:	bath-galvanized steel
Caps:	plastic
Climbing wall:	shuttering waterproof plywood, climbing grips made of material, based on resins
Construction Legs:	solid wood, varnish painted walnut
Foundations:	concret min. B-15 standard
Platforms, stairs:	impregnated boards
Roof elements:	HDPE plate
Steel elements:	bath-galvanized steel, powder painted



SATERNUS DISTRIBUTION Sp. z o. o. sp. k.
ul. Nowa 32
41-500 Chorzów
Polska

Certificate holder

Producer
Distributor

GRUPA SATERNUS Sp. z o.o. S. K. A. reserves all rights to copyright protection under the Act of 04.02.1994 on copyright and related rights (Journal of Laws No. 28, item. 83) and especially art. 78 and 79 of that Act.

GRUPA SATERNUS Sp. z o.o. S. K. A. (legal successor Place Zabaw Saternus Sp. z o.o.)

Saternus Production Sp. z o.o. sp. k.
Saternus Distribution Sp. z o.o. sp. k.