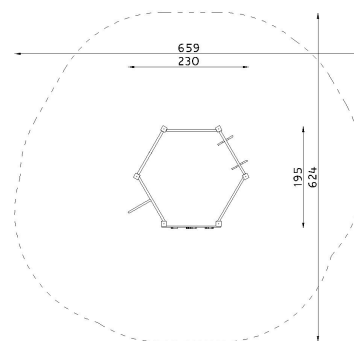


TECHNICAL DATA

Width:	1,95 m
Length:	2,30 m
Height:	2,74 m
Impact area F:	33,04 m ²
Dimensions of packed item:	2,50 x 1,10 x 0,05 m
Weight of item:	30 kg
HIC:	2,50 m
Dimensions of impact area length:	6,59 m
Dimensions of impact area width:	6,24 m
Depth of foundations:	-0,60 m

Top view with impact area



SATERNUS DISTRIBUTION Sp. z o. o. sp. k.
ul. Nowa 32
41-500 Chorzów
Polska

Certificate holder

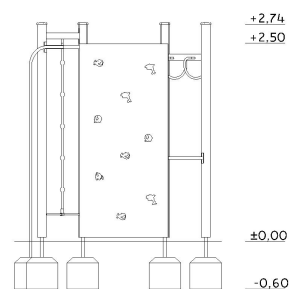
Producer
Distributor

GRUPA SATERNUS Sp. z o.o. S. K. A. reserves all rights to copyright protection under the Act of 04.02.1994 on copyright and related rights (Journal of Laws No. 28, item. 83) and especially art. 78 and 79 of that Act.

GRUPA SATERNUS Sp. z o.o. S. K. A. (legal successor Place Zabaw Saternus Sp. z o.o.)

Saternus Production Sp. z o.o. sp. k.
Saternus Distribution Sp. z o.o. sp. k.

General view of device



The device according to PN-EN 1176-1:2017-12 standards playground equipment. General safety requirements and examination methods.

Safety surface: sand, gravel, bark, rubber (minimal thickness for all loose surfaces 300 mm)



SATERNUS DISTRIBUTION Sp. z o. o. sp. k.
ul. Nowa 32
41-500 Chorzów
Polska

Certificate holder

Producer
Distributor

GRUPA SATERNUS Sp. z o.o. S. K. A. reserves all rights to copyright protection under the Act of 04.02.1994 on copyright and related rights (Journal of Laws No. 28, item. 83) and especially art. 78 and 79 of that Act.

GRUPA SATERNUS Sp. z o.o. S. K. A. (legal successor Place Zabaw Saternus Sp. z o.o.)

Saternus Production Sp. z o.o. sp. k.
Saternus Distribution Sp. z o.o. sp. k.

LIST OF ELEMENTS

Bending set:
Climbing rope:
Coups set:
Fireman's pole:
Vertical Climbing wall 250cm:

MATERIALS

1	Anchors:	bath-galvanized steel
1	Caps:	plastic
2	Climbing wall:	shuttering waterproof plywood, climbing grips made of material, based on resins
1	Construction Legs:	bath-galvanized steel profiles, powder painted blue
	Foundations:	concret min. B-15 standard
	Ropes:	polypropylene braided with a steel, interconnected by plastic fasteners
	Steel elements:	bath-galvanized steel, powder painted



SATERNUS DISTRIBUTION Sp. z o. o. sp. k.
ul. Nowa 32
41-500 Chorzów
Polska

Certificate holder

Producer
Distributor

GRUPA SATERNUS Sp. z o.o. S. K. A. reserves all rights to copyright protection under the Act of 04.02.1994 on copyright and related rights (Journal of Laws No. 28, item. 83) and especially art. 78 and 79 of that Act.

GRUPA SATERNUS Sp. z o.o. S. K. A. (legal successor Place Zabaw Saternus Sp. z o.o.)

Saternus Production Sp. z o.o. sp. k.
Saternus Distribution Sp. z o.o. sp. k.